



CTP FACADE TIE BRACKET



-- Submittal --

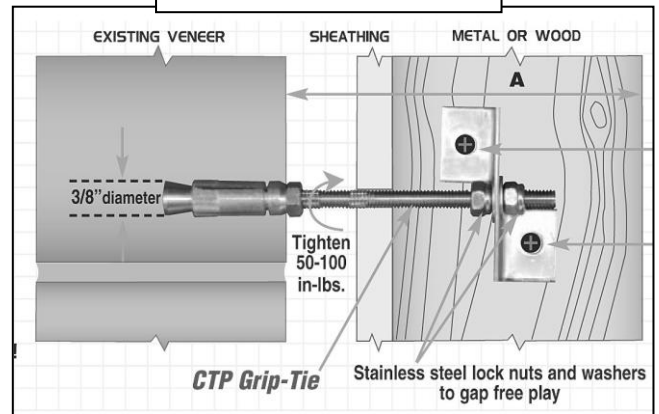
Catalog Part Numbers

A-SERIES with CTP GRIP TIE	B-SERIES with CTP Stitch Tie
Mill Galvanized	
<input type="checkbox"/> CTP T-1A	<input type="checkbox"/> CTP S-1B
<input type="checkbox"/> CTP T-AHD <i>(heavy duty)</i>	<input type="checkbox"/> CTP S-1BHD <i>(heavy duty)</i>
Stainless Steel	
<input type="checkbox"/> CTP T-2A	<input type="checkbox"/> CTP S-2B
<input type="checkbox"/> CTP T-2AHD <i>(heavy duty)</i>	<input type="checkbox"/> CTP S-2BHD <i>(heavy duty)</i>
Includes Mounting Hardware	
<input type="checkbox"/> Tek Screw (metal stud)	
<input type="checkbox"/> S.S.Screw (wood stud)	

Galvanized Plate
Or
Stainless Steel (S.S)
Type 304 per ASTM167

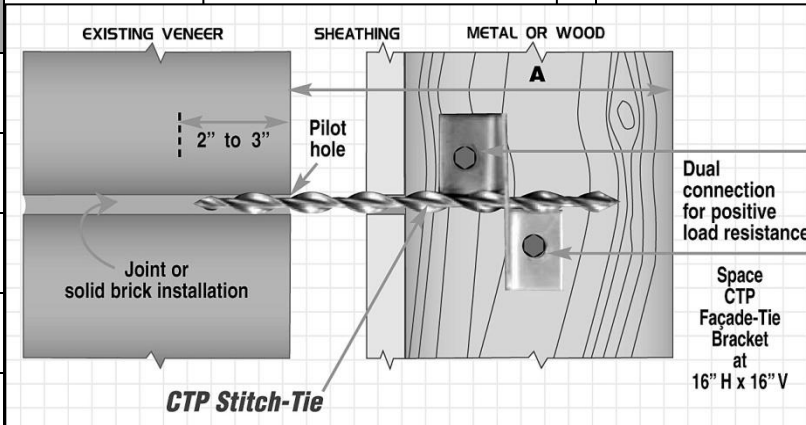


CTP Grip-Tie Connection



Catalog Part #	A	
	For 6" stud back up	For 4" stud back up
<input type="checkbox"/> CTP SBRA-54	"6-8"	4"-6"
<input type="checkbox"/> CTP SBRA-64	7"-9"	5"-7"
<input type="checkbox"/> CTP SBRA-74	8"-10"	7"-8"
<input type="checkbox"/> CTP SBRA-84	9"-11"	7"-9"
<input type="checkbox"/> Other _____		

CTP Stitch-Tie Connection



Includes 2 S.S. washers
And 2 S.S. lock nuts

Stitch Tie Length	A	
	For 6" stud back up	For 4" stud back up
<input type="checkbox"/> 7"	"6-8"	4"-6"
<input type="checkbox"/> 8"	7"-9"	5"-7"
<input type="checkbox"/> 9"	8"-10"	6"-8"
<input type="checkbox"/> 10"	9"-11"	7"-9"
<input type="checkbox"/> Other _____		

Project: _____

Submitted By: _____

Date: _____

7974 W. Orchard Dr. * Michigan City, IN 46360 * Phone:(219)878-1427*Fax: (219)874-3626

Email: stevectp@comcast.net * www.ctpanchors.com