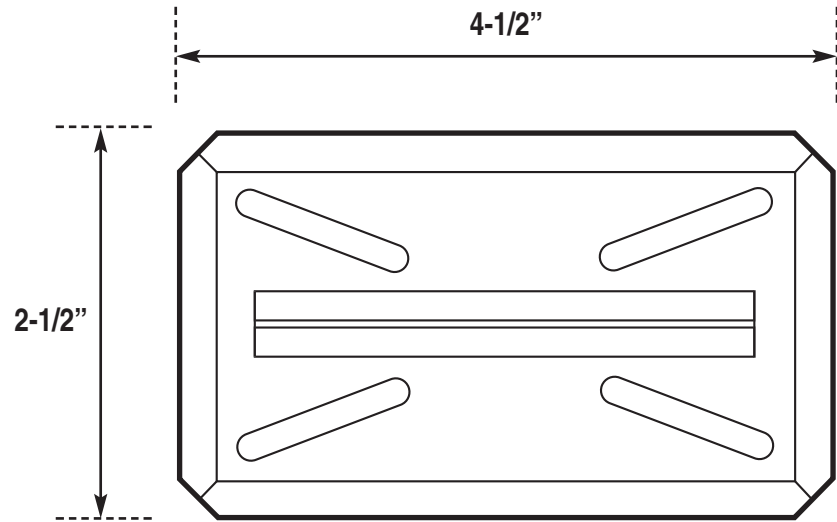


# CTP INSULATION RETAINER PLATE \_\_\_\_\_




Top View



Side View

Catalog Number	Material	Length	Width
CTP IR-20	MILL GALVANIZED PER ASTM A-653, G-60	4-1/2"	2-1/2"
CTP IR-50	STAINLESS STEEL TYPE 304 PER ASTM 167	4-1/2"	2-1/2"

Phone: (219) 878-1427 Fax: (219) 874-3626 www.ctpanchors.com				7974 W. Orchard Drive Michigan City, Indiana 46360-9390 USA	
DATE:	APPROVED BY:		DRAWN BY: CMS		
SCALE: NTS			REVISED:		
<h2>CTP Insulation Retainer Plate</h2>					
PROJECT:					
CUSTOMER:				DRAWING NUMBER:	