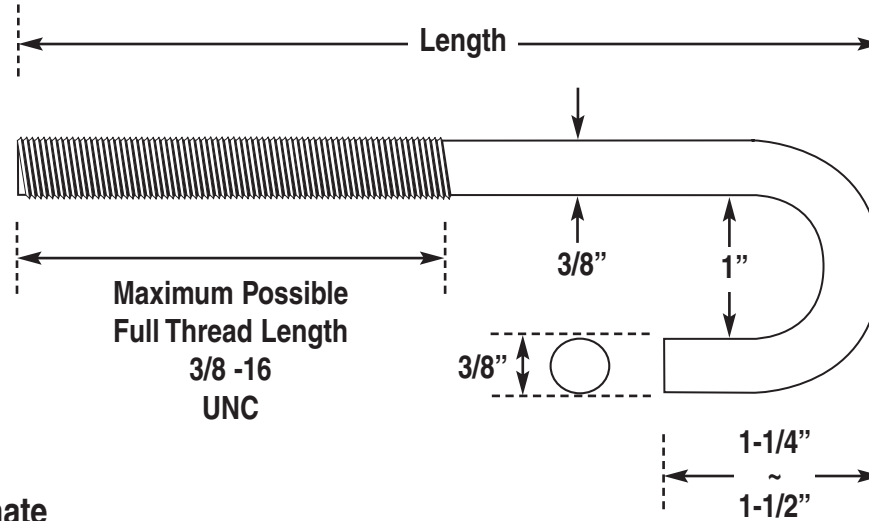



# CTP J-BOLT



**CAPACITY = 1500 lb Ultimate**

Catalog Number	Length
CTP J-386	6"
CTP J-388	8"
CTP J-3810	10"
CTP J-3812	12"

- Includes:**
- 1 Nut
  - 1 Washer
- TY 18-8 S.S.**

Phone: (219) 878-1427 Fax: (219) 874-3626 www.ctpanchors.com				7974 W. Orchard Drive Michigan City, Indiana 46360-9390 USA	
DATE:	APPROVED BY:		DRAWN BY: CMS		
SCALE: NTS			REVISED:		
<b>CTP J-Bolt - 3/8"</b> <b>Material: TY 304 Stainless Steel</b>					
PROJECT:					
CUSTOMER:				DRAWING NUMBER:	