

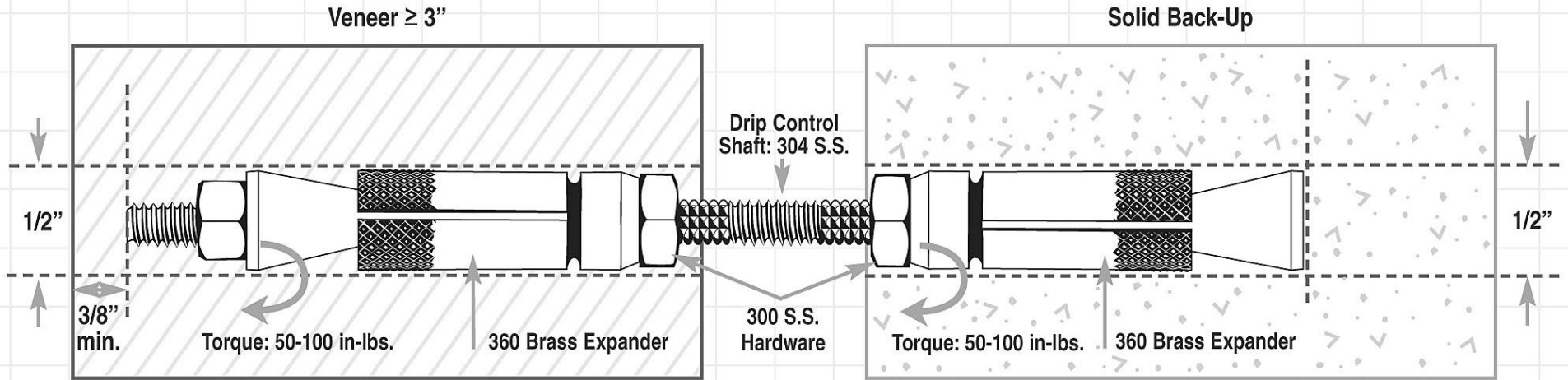


CTP GRIP-TIE

-- Submittal --



CTP 5000 SERIES ANCHOR



<u>Length</u>			<u>Approval</u>
<input type="checkbox"/> 5 ½ " (138mm)	<input type="checkbox"/> 7 ½ " (188mm)	<input type="checkbox"/> 9 ½ " (238mm)	
<input type="checkbox"/> 6 ½ " (163mm)	<input type="checkbox"/> 8 ½ " (213mm)	<input type="checkbox"/> Other _____	

• Brass: ASTM B16, Type 360

• S.S : ASTM 580A, Type 304

Project: _____

Submitted By: _____ Date: _____

7974 W. Orchard Dr. * Michigan City, IN 46360 * Phone:(219)878-1427*Fax: (219)874-3626

Email: stevectp@comcast.net * www.ctpanchors.com