



# CTP GRIP-TIE

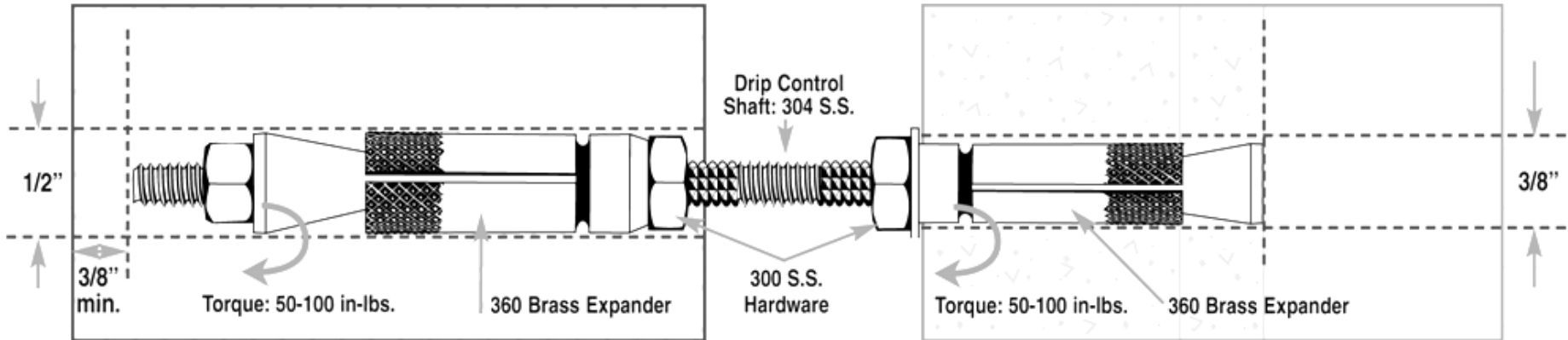
-- Submittal --



## CTP 5100 SERIES ANCHOR \_\_\_\_\_

Veneer  $\geq$  3"

Hollow Back-Up



### Length

5 1/2 " (138mm)

7 1/2 " (188mm)

9 1/2 " (238mm)

6 1/2 " (163mm)

8 1/2 " (213mm)

Other \_\_\_\_\_

### Approval

• Brass: ASTM B16, Type 360

• S.S : ASTM 580A, Type 304

Project: \_\_\_\_\_

Submitted By: \_\_\_\_\_ Date: \_\_\_\_\_

7974 W. Orchard Dr. \* Michigan City, IN 46360 \* Phone:(219)878-1427\*Fax: (219)874-3626

Email: [stevectp@comcast.net](mailto:stevectp@comcast.net) \* [www.ctpanchors.com](http://www.ctpanchors.com)