



CTP STONE-GRIP TIE

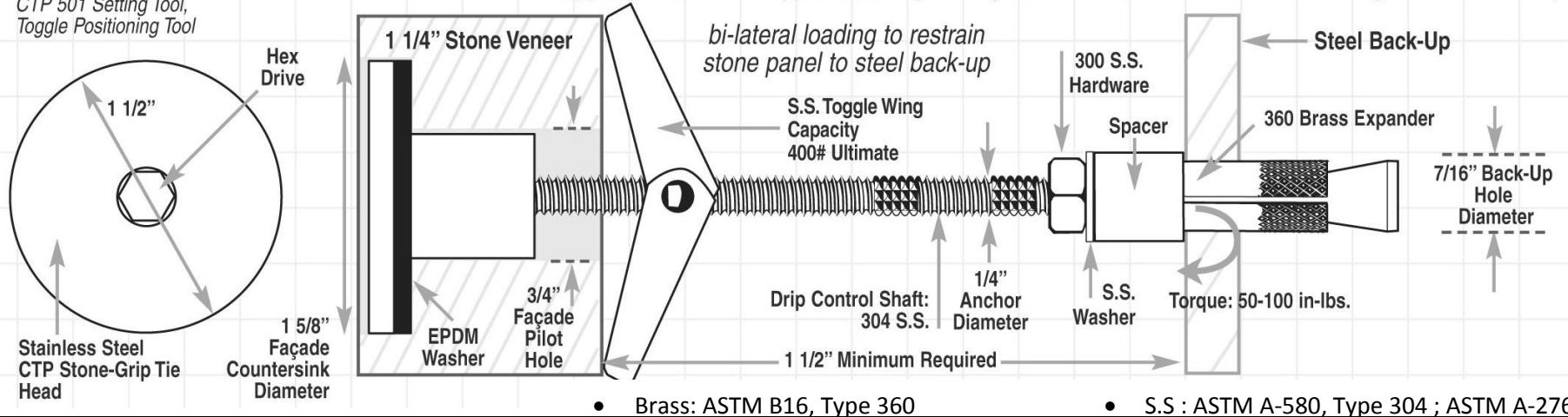
-- Submittal --



CTP 6200-2LD SERIES ANCHOR

Requires CTP Hex Key,
CTP 501 Setting Tool,
Toggle Positioning Tool

Type 2 : Wind load Type 2LD : Light Duty restraint for dual direction loading to steel back-up.



Length

- 5 1/2 " (138mm) 7 1/2 " (188mm) 9 1/2 " (238mm)
- 6 1/2 " (163mm) 8 1/2 " (213mm) Other

Head Style

- Round (as shown) Other _____
- Color** _____
- Standard Polished Powder coat Bead Blast
- Other _____

Project: _____

Submitted By: _____ Date: _____

7974 W. Orchard Dr. * Michigan City, IN 46360 * Phone:(219)878-1427*Fax: (219)874-3626

Email: steve@ctpanchors.com * www.ctpanchors.com